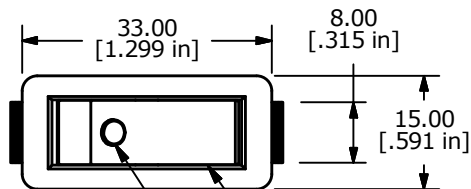
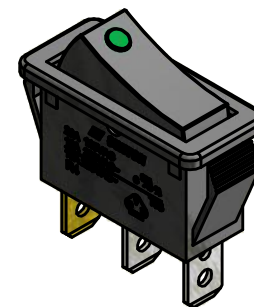


RECOMMENDED PANEL MOUNTING

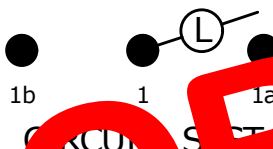
PANEL THICKNESS	X± 0.05
0.75-1.25	29.6-29.7
1.25-2.00	30.1-30.2
2.00-3.00	30.45-30.55



▲HOUSING COLOR: BLACK
ROCKER COLOR: BLACK▲
LENS COLOR: GREEN

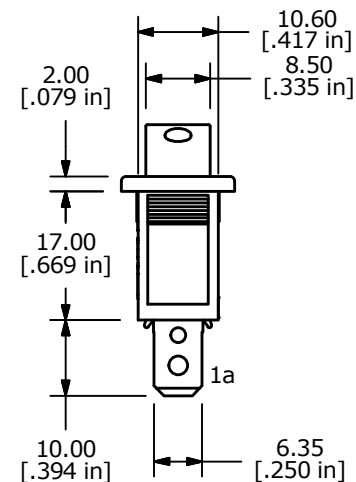
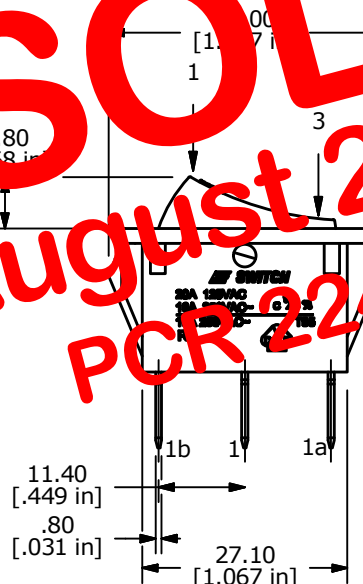


SWITCH FUNCTION	
POS. 1	POS. 3
ON	OFF
1-1a	OPEN



OBSOLETE
August 2016
PCR 22429

- NOTES:
- ALL DIMENSIONS IN MM [INCH]
 - GENERAL TOLERANCE: X.X±0.4
X.XX±0.25
 - TERM. NOS. FOR REF. ONLY
 - RATING: 20A 125VAC, 16A 250VAC UL APPROVED
16A 250VAC VDE APPROVED
 - ELECTRICAL LIFE: OVER 10,000 CYCLES
 - MECHANICAL LIFE: OVER 30,000 CYCLES
 - CONTACT RESISTANCE: <20 mΩ(INITIAL)
 - DIELECTRIC STRENGTH: >1500V 1 min
 - INSULATION RESISTANCE: >1,000 mΩ @ 500V DC
 - ▲10. LAMP VOLTAGE: INCANDESCENT 24V DC
 11. OPERATING TEMPERATURE: TERMINAL SIDE -20°C to 85°C
ROCKER SIDE -20°C to 55°C
 - ▲ DENOTES CRITICAL PARAMETER
 - 2002/95/EC (ROHS) COMPLIANT



TITLE R4BBLKBLKGRNEF4SPECIAL				
SCALE	DATE 10/8/2012	DR EBP	DWG M401125	REV A

A	20813	LAMP SWITCHED WITH CONTACTS	10/8/12	EBP
REV	PCR NO	DESCRIPTION	DATE	BY

THE INFORMATION CONTAINED IN THIS DOCUMENT IS PROPRIETARY TO E-SWITCH AND IS NOT TO BE COPIED OR TRANSFERRED